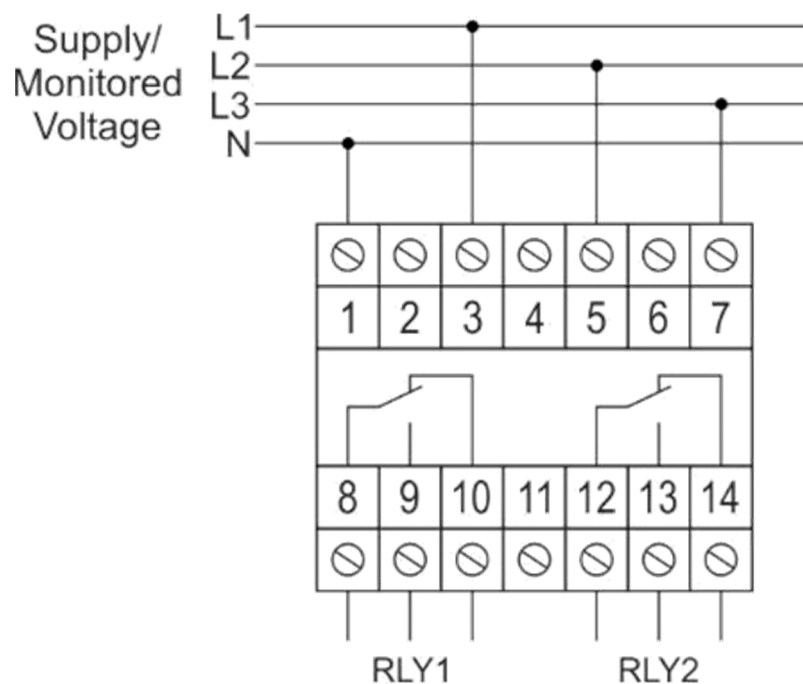


## PUVR44 Connection Diagram



For connecting to Single-phase supplies for the purpose of testing, connect inputs L1, L2 and L3 together as shown below.

