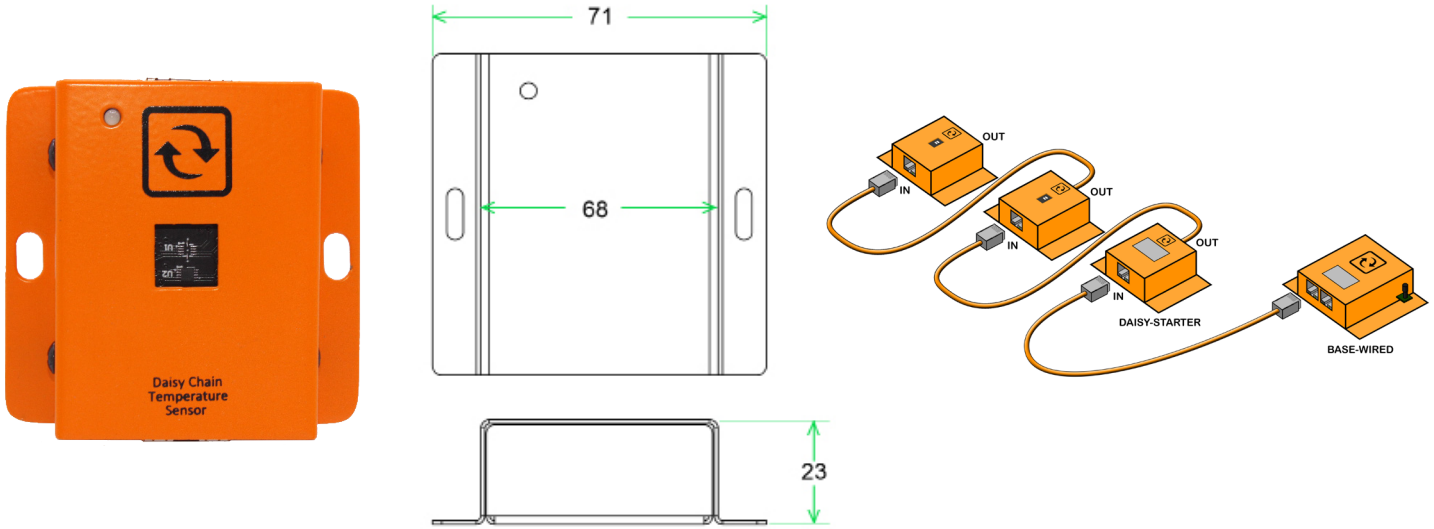




Daisy Chain Temperature Sensor (DAISY-TEMP)



General Description

Designed for monitoring temperature levels inside data centers, server rooms, cabinets and other critical facilities.

Key Features

- plugs into the base unit (BASE-WIRED)
- powered by the base unit (BASE-WIRED)
- compact plug & play sensor
- can be OU rack, din rail, magnetic, or wall mounted
- steel inclosure. Industrial grade
- alerts via SNMP Traps, email, SMS or voice calls
- optional calibration certificates available
- only 1 IP address required for every daisy chain
- can connect up to 48 DAISY-TEMP sensors per daisy chain

Technical Specifications

Power source	SensorGateway (BASE-WIRED), power adapter 12V 2A is required for more than 10 Sensors
Power usage	60 mW
Temperature resolution	0.1°C (32.18)°F precision
Temperature accuracy	+/- 0.5°C (+/- 32.9 °F) from -10°C to +85°C / 14°F to 185°F
Temperature reading	-55°C to +125°C (-67°F to +257°F)
Reading unit	in Celsius or Fahrenheit

Environmental and Physical Specification

Operating temperature range	0°C to +75°C (32°F to +167°F)
Humidity (operating and storage)	< 90% rH (non-condensating)
Dimensions	71 mm (2.8") x 68 mm (2.7") x 23 mm (0.9")
Weight	0.12kg (0.26 lbs)
Maximum length of ENV-TEMP daisy chain	48 sensors per base unit within 100m/330ft total length Longer distances possible with optional DAISY-BOOSTER