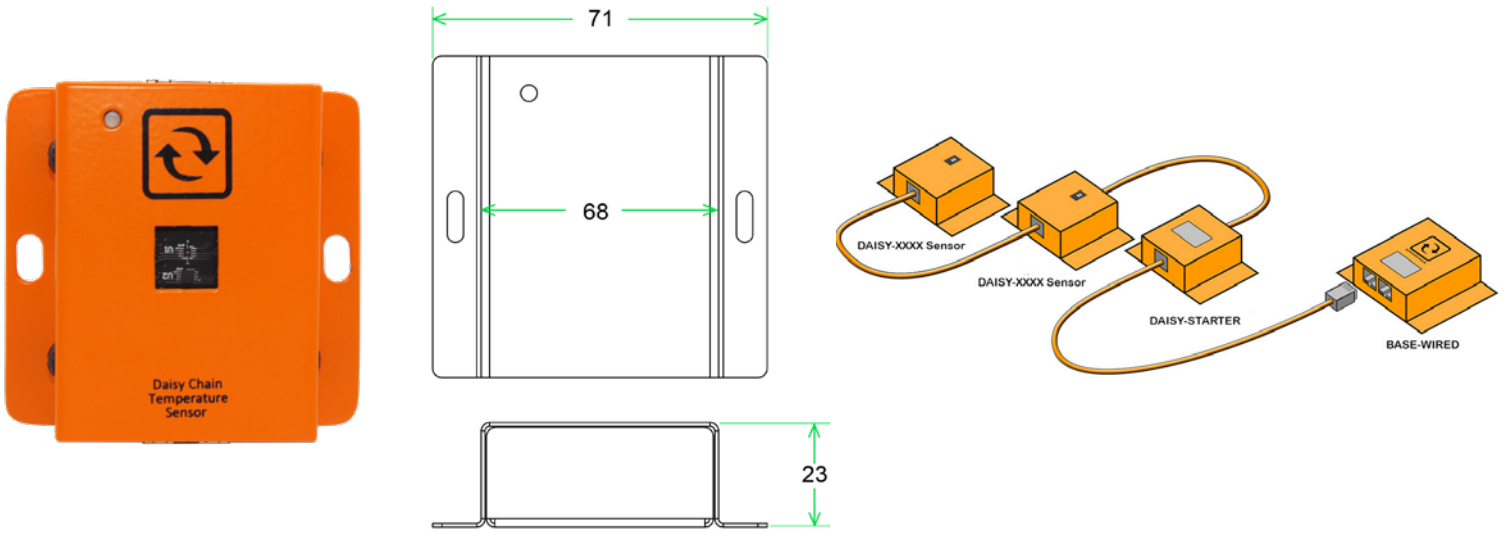




## Daisy Chain Temperature Sensor (DAISY-TEMP)



### General Description

Designed for monitoring temperature levels inside data centers, server rooms, cabinets and other critical facilities.

### Key Features

- Plugs into the base unit (BASE-WIRED).
- Powered by the base unit (BASE-WIRED).
- Compact plug & play sensor.
- OU rack or wall mountable.
- Steel inclosure. Industrial Grade.
- Alerts via SNMP Traps, email, SMS or voice calls.
- Optional calibration certificates available.
- Only 1 IP address required for every 20 temperature sensors.

### Technical Specifications

Power Source	SensorGateway (BASE-WIRED), power adapter 12V 2A is required for more than 10 Sensors
Power Usage	60 mW
Temperature Resolution	0.1°C (0.18)°F precision
Temperature Accuracy	+/- 0.5°C (+/- 0.9 °F) from -10°C to +85°C / 14°F to 185°F
Temperature Reading	-55°C to +125°C (-67°F to +257°F)
Reading Unit	in Celsius or Fahrenheit

### Environmental and Physical Specification

Operating temperature range	0°C to +75°C (32°F to +167°F)
Humidity (operating and storage)	< 90% rH (non-condensating).
Dimensions	74 mm (2.9") x 66 mm (2.59") x 22 mm (0.8")
Weight	0.12kg (0.26 lbs.)
Maximum Length of Daisy Chain	20 sensors per base unit within 100m/330ft total length